

Technical Annexes

Weld Crawler sizes

TABLE OF FIGURES

Figure 1: Size Weld Crawler + vision, short arm.....	2
Figure 2: Size Weld Crawler + vision, long arm.....	2
Figure 3: Size Weld Crawler + vision + motors, short arm.....	3
Figure 4: Size Weld Crawler + vision + motors, long arm.....	3
Figure 5: Size Option Frame thickness 2 to 4 inches	4
Figure 6: Size Option Frame thickness 4 to 6 inches	4

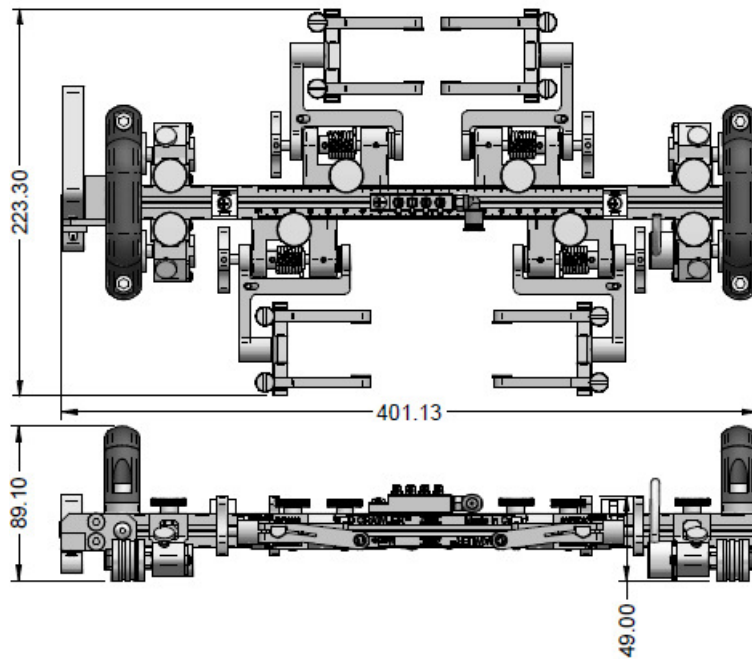


Figure 1: Size Weld Crawler + vision, short arm

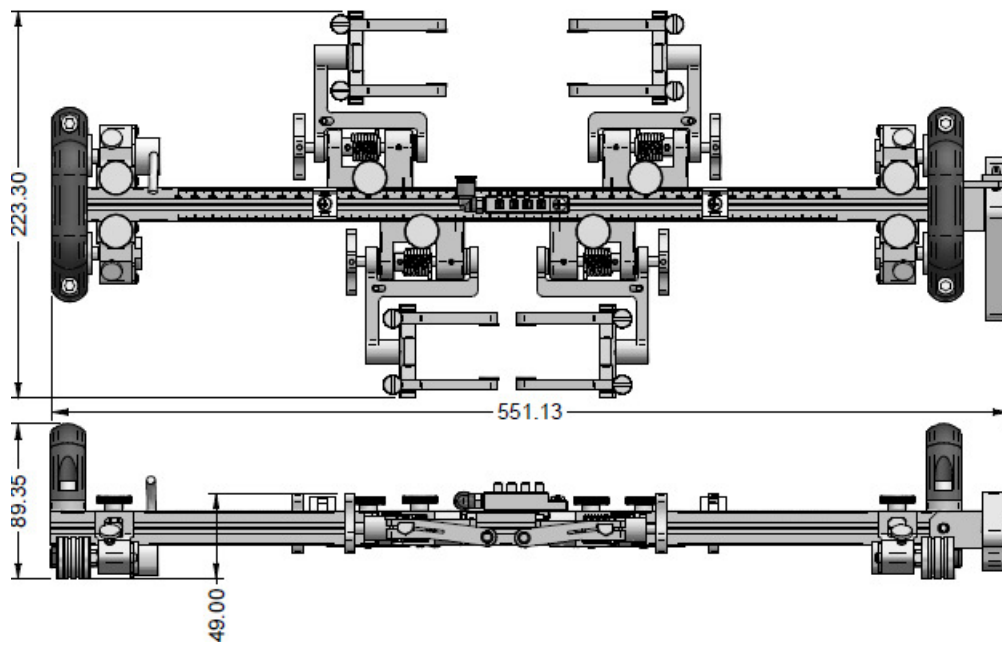


Figure 2: Size Weld Crawler + vision, long arm

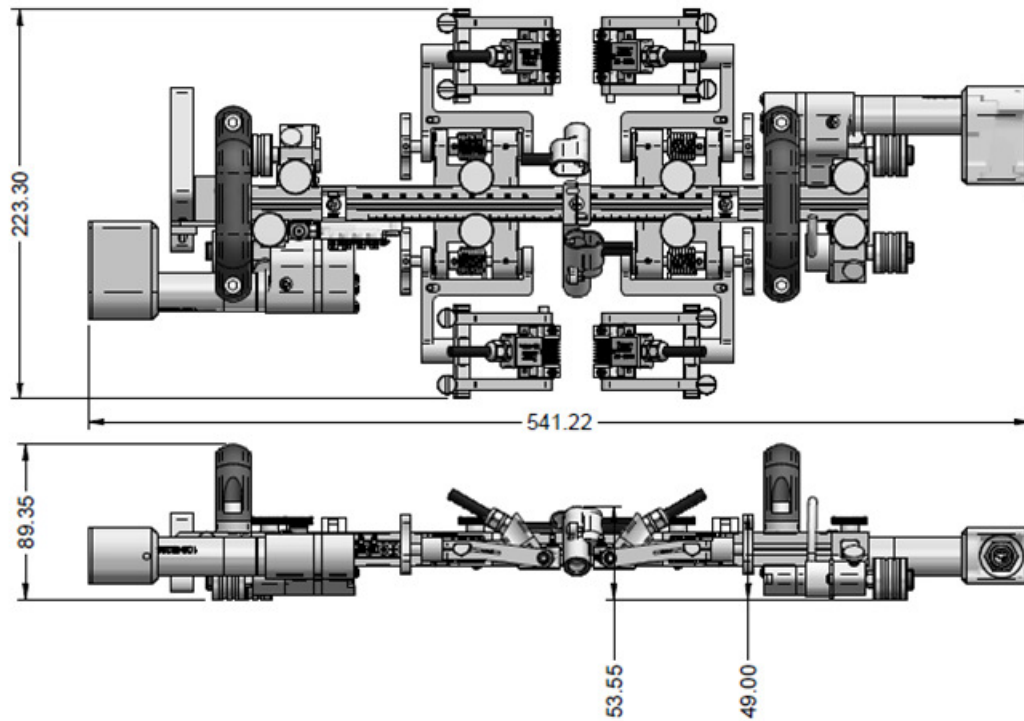


Figure 3: Size Weld Crawler + vision + motors, short arm

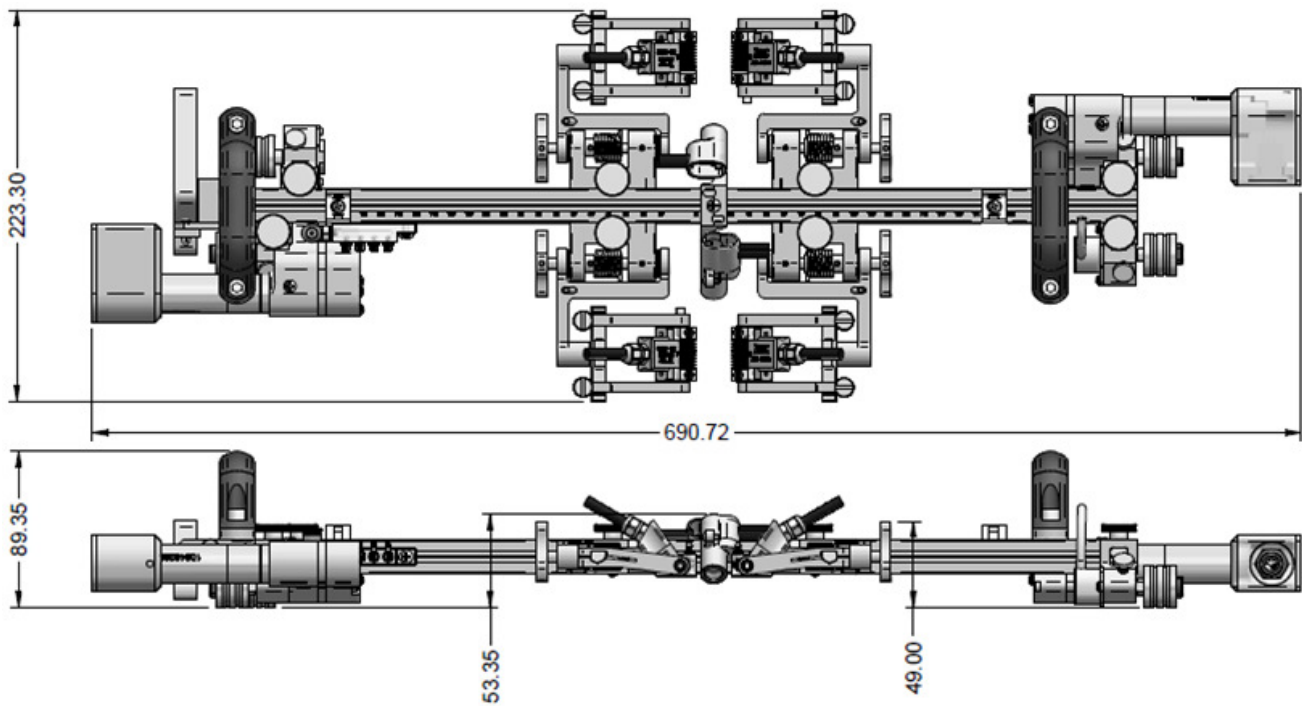


Figure 4: Size Weld Crawler + vision + motors, long arm

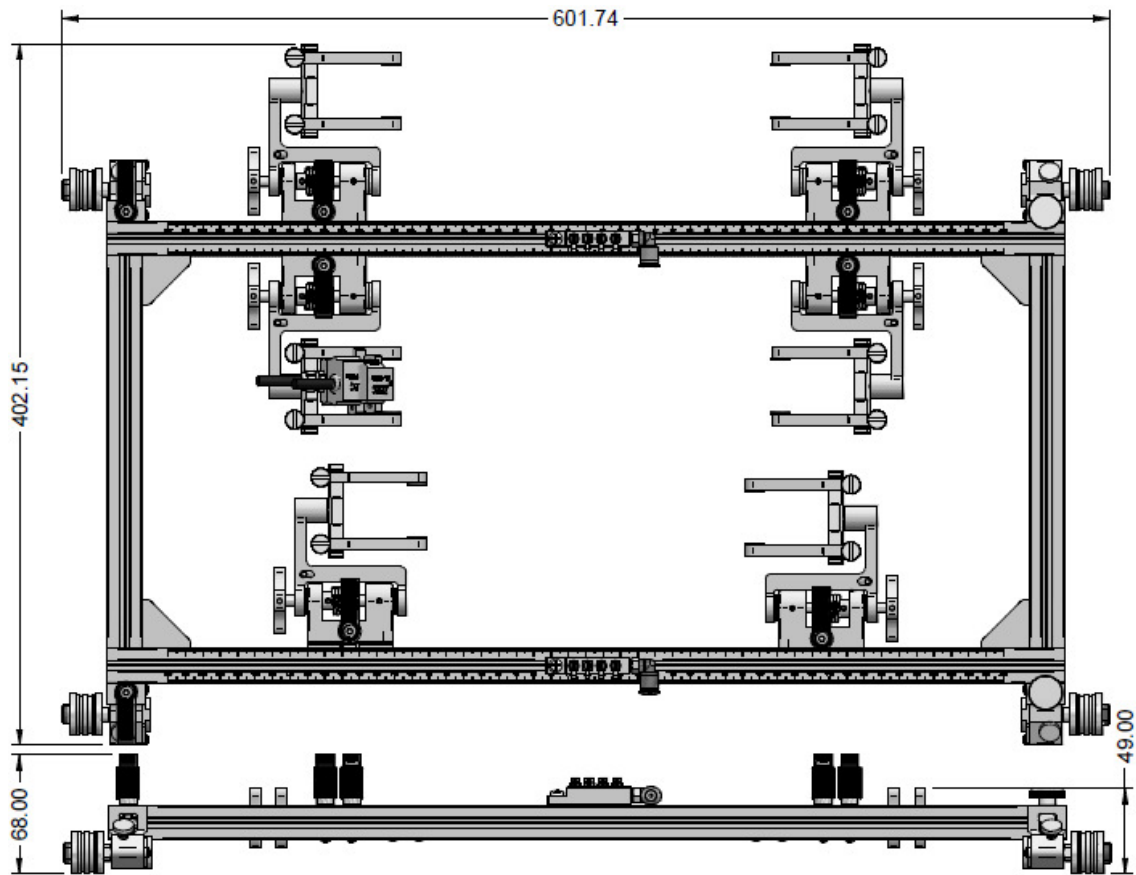


Figure 5: Size Option Frame thickness 2 to 4 inches

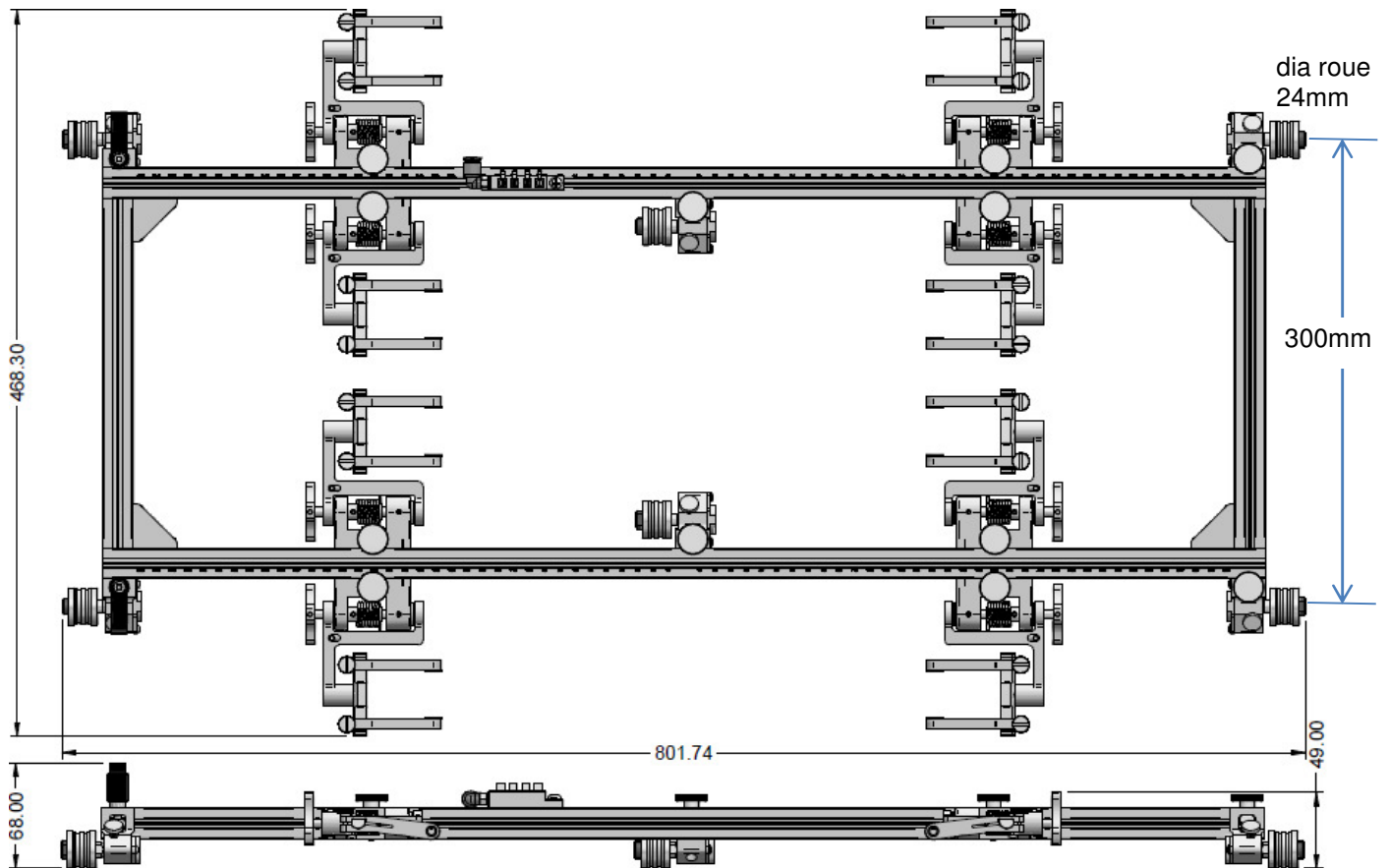


Figure 6: Size Option Frame thickness 4 to 6 inches